

# VT 360 PT HD camera system brochure



## VT 360 PT HD – FullHD inspection camera

Watertight FullHD camera with pan / tilt function and integrated lighting, integrated 2D/3D noise reduction and image enhancer with de-fog function.

### Applications

- > All underwater inspections and monitoring applications
- > Nuclear applications (refueling - offloading - maintenance)
- > Industrial applications
- > Decommissioning applications

### Features

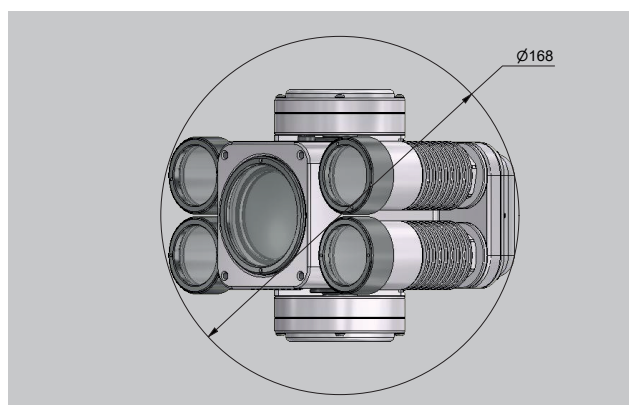
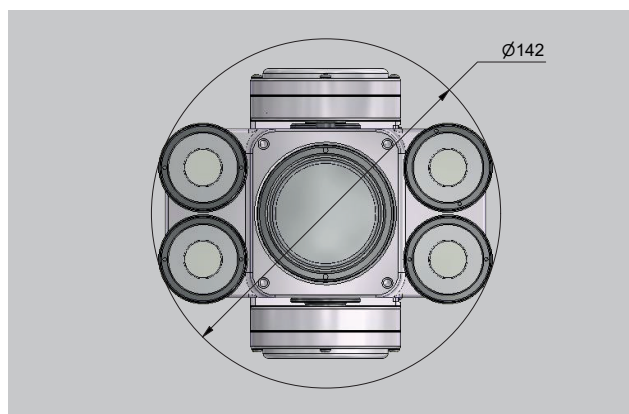
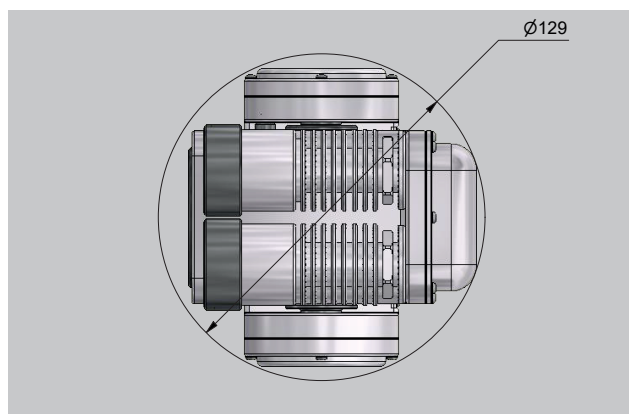
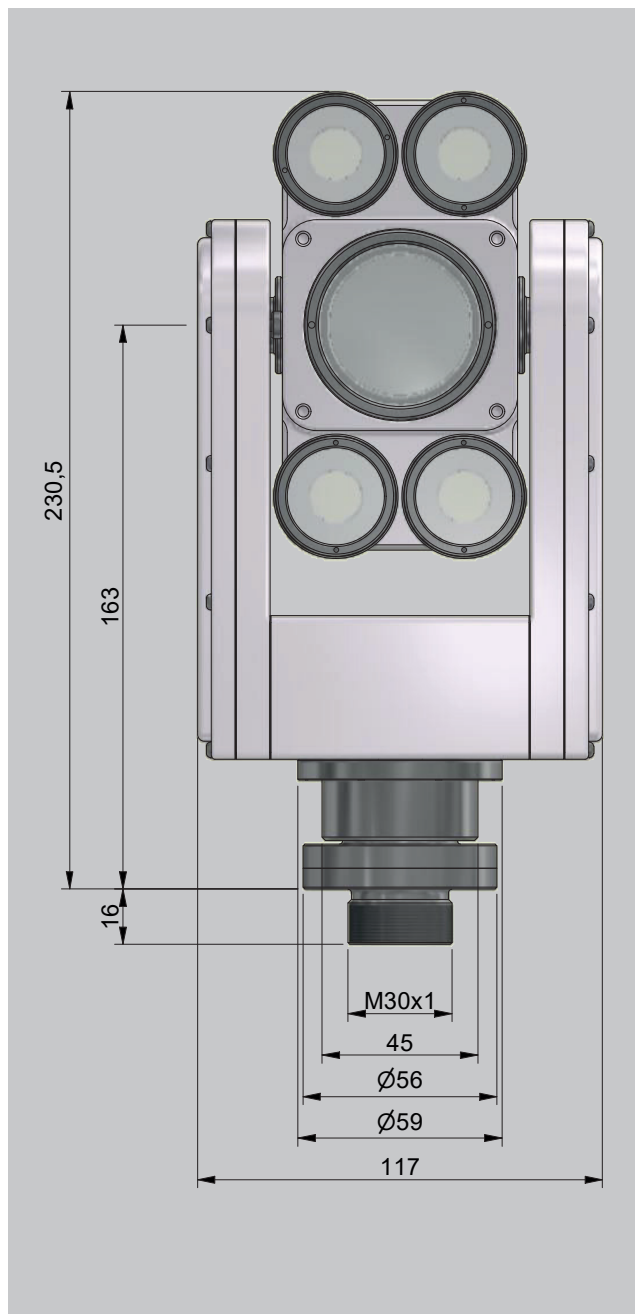
- > Robust and modular design
- > Zoom lens 30x optical / 12x digital
- > 1080p/60 Full-HD resolution
- > Radiation tolerant
- > Integrated LED lighting with up to 6 LEDs (4 flood, 2 spot)
- > Watertight up to 50 m
- > Slipping clutch



## Technical specifications - VT 360 PT HD camera

This document is for general information only, please consult the system manual for detailed specifications

Material	Anodized aluminium
Image sensor	Full-HD 1080p/60 fps
Resolution	2.38 megapixels
Video out	Y/Pb/Pr
Zoom	30x optical / 12x digital
Field of vision	63.1° (Wide) – 2.3° (Tele)
Focus / Iris control	automatic or manual
Range - Pan	infinite
Range - Tilt	220°
Lighting	4 x LED Spots
De-fog function	yes
Luminous flux	up to 6000 lm (lumen)
Dimensions	L x W x H 246,5 x 117 x 134 mm (9.7 x 4.6 x 5.3")
Weight	approx. 3 kg (6.6 lbs)
Operating temperature	0°C to +60°C (32°F to 140°F)
Water tight	5 bar (72.5 psi) / 50 m (164ft)
Radiation resistance	1500 rad/h (15 Gy/h) / Total 25.000 rad (250 Gy)





# 1 Camera



VT 360 PT HD

# 2 Cabling



VT 780 SKT



VT 72 HD SKT

# 3 Control unit



Control unit  
VT 6360 CU



Control unit  
VT 300-3 CU



Remote Control  
VT 780-2 FB

## Components, related products - and accessories



### VT 6360 CU control unit

Portable CU with integrated 21.5" monitor, text inserter, recording functionality and removable remote control



### VT 300-3 CU control unit

Rack mountable or standalone control unit in 19-inch case for different camera series



### VT 360 PTZ HD camera with 6-LED setup

Camera equipped with 4 floodlights for proper illumination of the surroundings and 2 spots for perfect lighting conditions in the distance



### VT 360 PTL HD camera with laser module

Laser generator to display reference lines for measurement software (available only with aluminium body)



### VICOS text overlay system

Video text inserter with a wide functionality range for professional applications



### VT 780 SKT cable reel with wheels

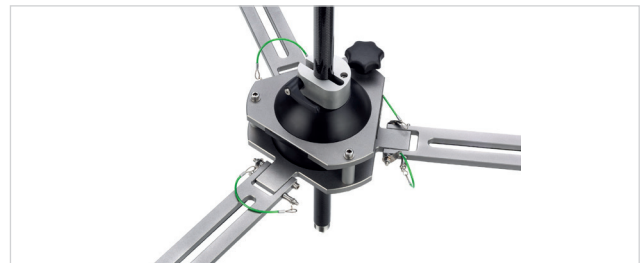
Reel equipped with kevlar-reinforced cable, standard length 50m and extendable arm

## Optional accessories



### Carbon poles - 29 or 42 diameter + accessories

Wired and non-wired carbon poles in various lengths for deployment of cameras and tools



### Manhole holder

Versatile positioner for 29 or 42 mm carbon poles. Other different tripods, holders and mounting units available

### Nexxis Australia

35 Peel Road, O'Connor, WA, 6164  
Tel. +61-8-9418 4952  
www.nexxis.com.au

### Nexxis America

315 Odyssey Drive, Suite D, Webster, TX 77598  
Tel. +1 (713) 258 6061  
www.nexxis.com

nexxis

DEKRA

On the safe side.