

OnSite

Standard Product



Key Specifications

CAMERA

Type: Spectrum 120HD™ high definition pan, tilt and zoom camera mounted on extendable pole
Material: Aluminum
Depth Rating: 60m/200ft
Zoom: 30x optical, 12x digital
Lighting: 2 spot lights, 2 flood lights

TETHER

Length: 100m/330ft
Management: Portable mini reel with deck cable

HATCH MOUNT

Diameter range: 430-920mm/17-36in

CONTROLLER

Type: Pelican® case PC controller
Software: ICON™ Pro

Standard Components: 1 Spectrum 120HD™ camera, laser lines, 2 spot lights, 2 flood lights, camera pole with mount, hatch mount assembly, STIK™ controller in Pelican® case with ICON™ software

Spectrum Tank Inspection Kit (STIK™)



Industries & Applications

- Nuclear
- Offshore Oil and Gas
- Petrochemical
- Railway Tank Car Inspection
- Underground Services Inspection

STIK™, the Spectrum Tank Inspection Kit, is Inuktun's turnkey camera solution for visual inspection inside of tanks, pressure vessels, bunkers and rail cars. Incorporating the power of a high definition Spectrum 120HD™ PTZ mounted on a lightweight pole with a special hatch mount assembly, this man portable system employs IM3™ (Inuktun Multi-Mission Modular) technology to provide inspectors with everything needed to generate quantifiable, repeatable and actionable reports.

Equipped with an automated scanning function, the STIK™ offers full 360-degree internal tank inspection capabilities, including assessment of liners, welds, fasteners, defects, corrosion and cleanliness. It is an ideal remote visual inspection (RVI) tool for tank cars, underground services and numerous other vessels or pipelines with manhole or riser access. It is quick to deploy and can be easily adjusted to fit a wide range of openings.

The submersible Spectrum 120™ camera can also operate without the tank deployment hardware, as an extended length drop camera for looking inside of wells, caissons or boreholes, or as high-resolution addition to an Inuktun crawler. Prepare for and transform the future with the STIK™.



All specifications are subject to change

Spectrum Tank Inspection Kit

STANDARD IM3 OPTIONS

Custom configurations: See dealer for details



Material
Aluminum

Depth Rating
60m / 200ft
or
300m/1000ft

Sacrificial anodes for salt water applications available

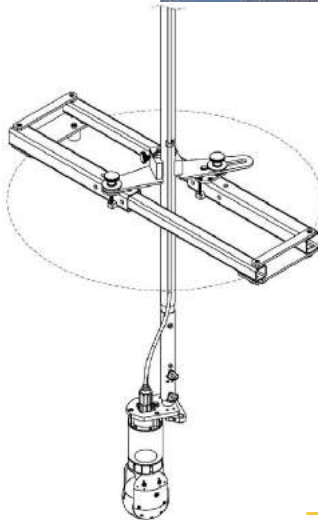


Advanced Imaging & Reporting

Features include defog, image stabilization and optional colour enhancement for the best picture and video result

Automated Inspection

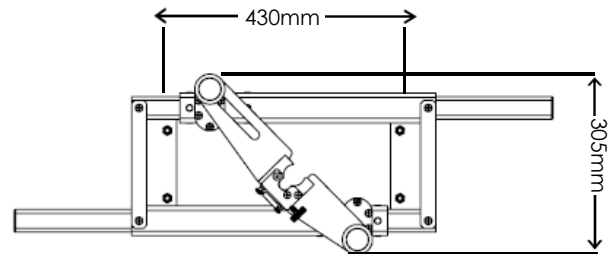
Automatically record a complete image of the tank interior with ICON™ control and operations software, for year-over-year maintenance assessment



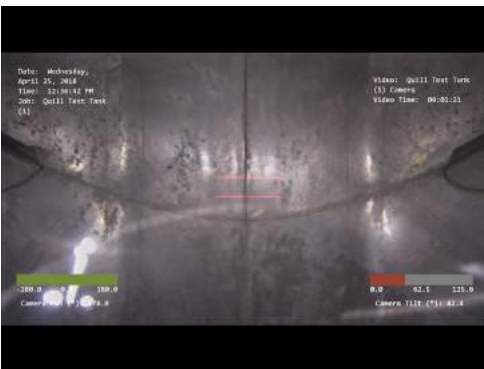
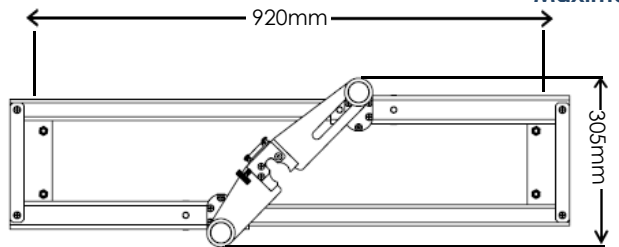
STIK™ Dimensions

Hatch Mount Access Diameters

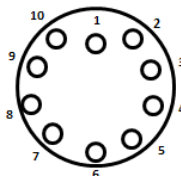
Minimum



Maximum



Connector Pin-out



Male Face View

CN1

GND	1
VIN	2
RS485A	3
RS485B	4
Pbout+	5
Pbout-	6
Yout+	7
Yout-	8
Prout+	9
Prout-	10

Camera

