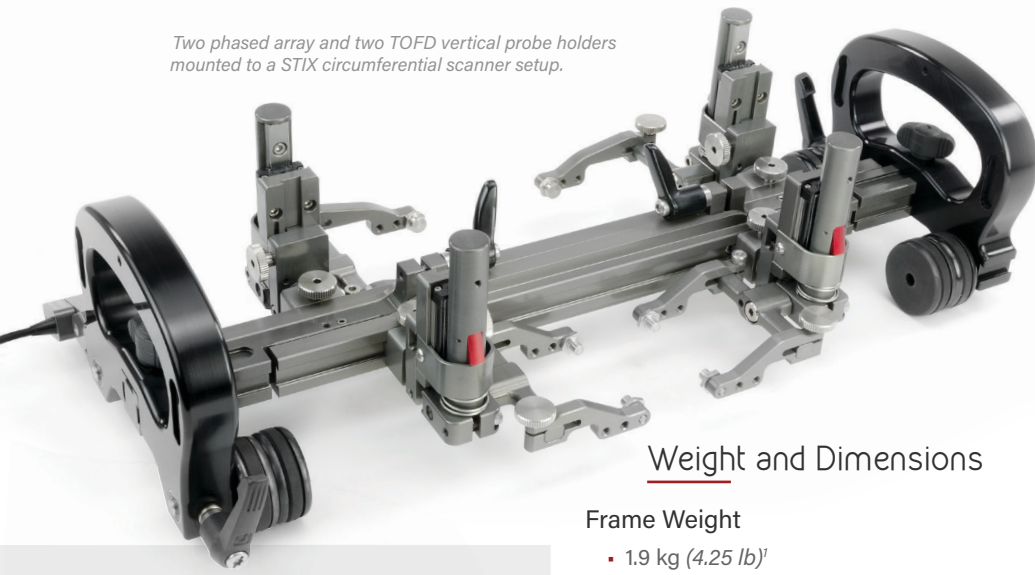


Two phased array and two TOFD vertical probe holders mounted to a STIX circumferential scanner setup.



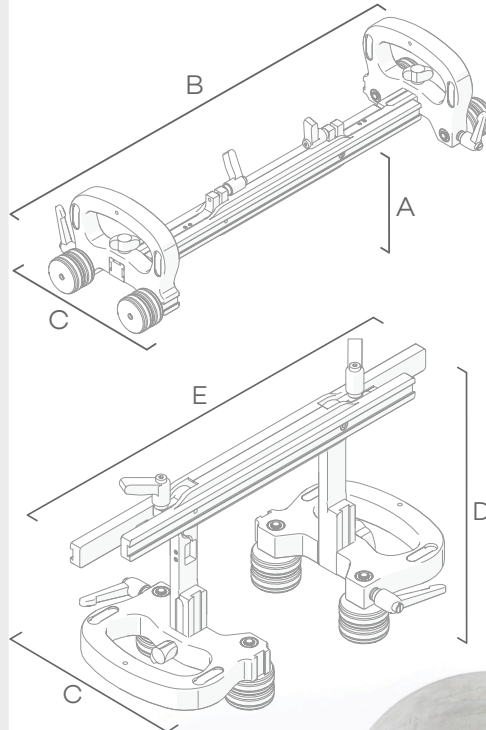
Weight and Dimensions

Frame Weight

- 1.9 kg (4.25 lb)

Frame Dimensions

- A Height: 11.4 cm (4.5 in)
- B Width: 19.1 cm (7.5 in)
- C Length: 45.5 cm (17.9 in)
- D Height: 19 cm (4.5 in)
- E Width: 35 cm (13.7 in)



Specifications

Circumferential Pipe Range

- 25.4 cm (10 in) to flat

Longitudinal Pipe Range

- 15.2 cm (6 in) to flat

Radial Clearance

- Longitudinal 14 cm (5.5 in)
- Circumferential 11.4 cm (4.5 in)

Encoder Resolution

- 9.05 counts/mm (230.0 counts/in)

Encoder Cable Length

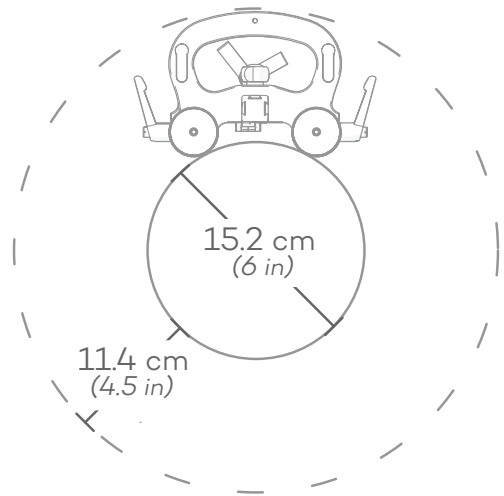
- 5 m (16.4 ft)²

Inspection Surface

- Ferrous materials

Probe Holding Capacity

- 2 phased array and 2 TOFD wedges



Features

Scan Versatility

- Engineered to perform both long seam and circumferential scanning.

Long Seam Frame

- A dual pivot frame bar accommodates 4 probe longitudinal scans.

Circumferential Scanning

- Conversion to between circumferential and longitudinal is quick and simple.

Magnetic Wheels

- Operate on vertical, horizontal and inverted surfaces.

Ease of use

- Comfortable handles provide excellent scanner control as well as mounting points for accessories.

Trailing Encoder

- The spring loaded, trailing encoder maintains constant surface contact to ensure accurate scanner positioning.

Brakes

- Position the scanner where required.

Warranty

- All Jireh products are backed by a three year limited warranty.

Environmental Specifications

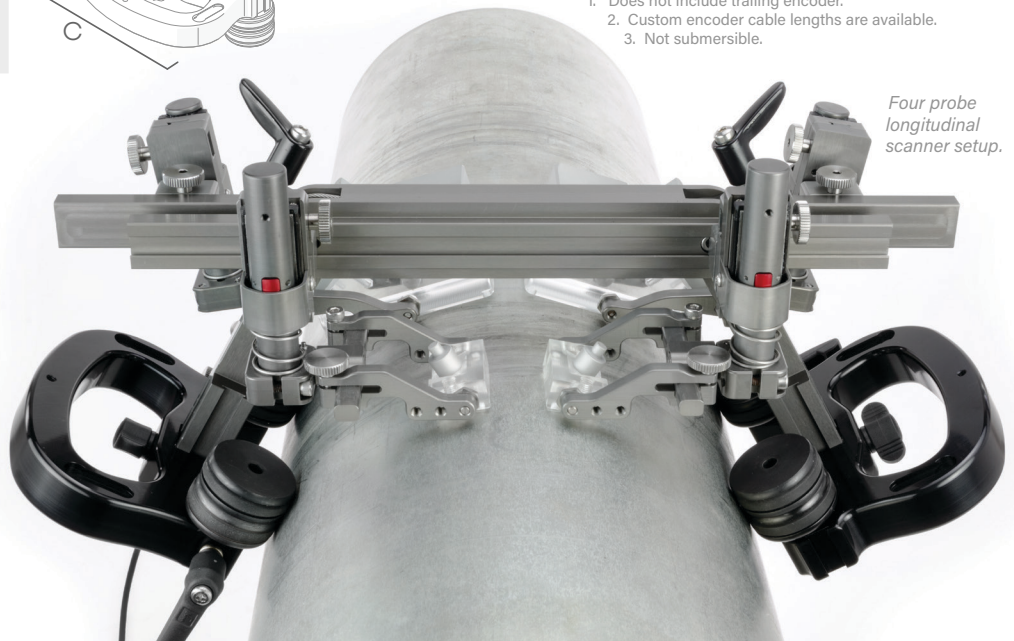
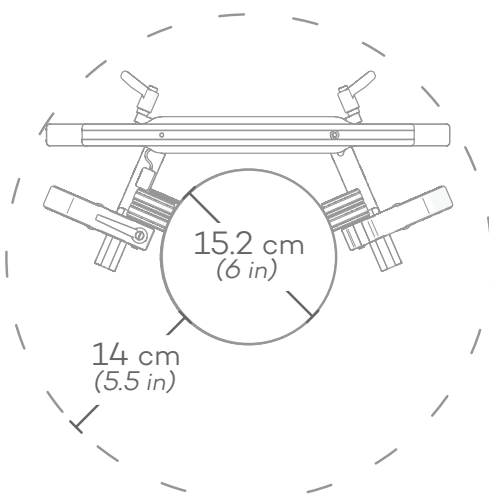
Operating Environment

- -20°C (-4°F) to 50°C (122°F)

Environmental Sealing

- Dust tight, waterproof³

1. Does not include trailing encoder.
2. Custom encoder cable lengths are available.
3. Not submersible.



Four probe longitudinal scanner setup.