

HELLCAT P IPE CRAWLER

Technical Specifications



ADVANCED TECHNOLOGY WITH A RANGE OF EQUIPMENT

With a variety of configurations that can tackle almost any confined space inspection application.

Capable of operating over long distances and a wide range of diameters, the Hellcat system is a state-of-the-art pipe inspection system with advanced capabilities.

The system is available with up to one kilometre (3,300 feet) with options to use copper or fibre optics. In its in-line configuration, operators can examine pipes from 260mm (10") in diameter.

For bigger pipes, the vehicle is reconfigured with a parallel chassis, incorporating a remotely motorised camera raise and two high intensity LED lights.

The Hellcat is well suited to a variety of inspection applications including sewers, storm drains, hydroelectric penstocks and fish bypass lines, petrochemical and power plant intake pipelines, and difficult to access pipes in the oil and gas industry.

Like all of our dedicated systems, it is easily customised with an array of optional equipment including high definition pan-tilt-zoom cameras, retrieval tools, laser measurement and profiling systems, sonar and other Non-Destructive Testing (NDT) sensors.

INDUSTRIES

- Mining
- Utilities (Sewer/Water)
- Oil & Gas (Onshore & Offshore)
- Petrochemical
- Power Generation (Hydroelectrical/Nuclear)

INTUITIVE CONTROL SYSTEM

Nexxis designed software provides the operator with mouse and joystick controls for all vehicle functions. All sensor data is automatically logged during an inspection, and can be included with the final video (or still images) using the NCS reporting software.

MOTORISED CAMERA RAISE

The Hellcat crawler includes a remotely controllable camera raise motor that allows the camera to be repositioned on-the-fly during inspections.



JuiceBox Controller

The JuiceBox Controller is aimed at providing a reliable solution to seamlessly operate a range of HD and SD remote visual inspection cameras and robotic equipment.



Xtrax LT

The Xtrax LT is a versatile, compact, and rugged track-driven module specifically designed for the harshest environments.



Hellcat

Fully modular, the Hellcat is available in a variety of configurations that can tackle almost any confined space inspection.

BUILT TO THE HIGHEST QUALITY & UNSURPASSED RELIABILITY

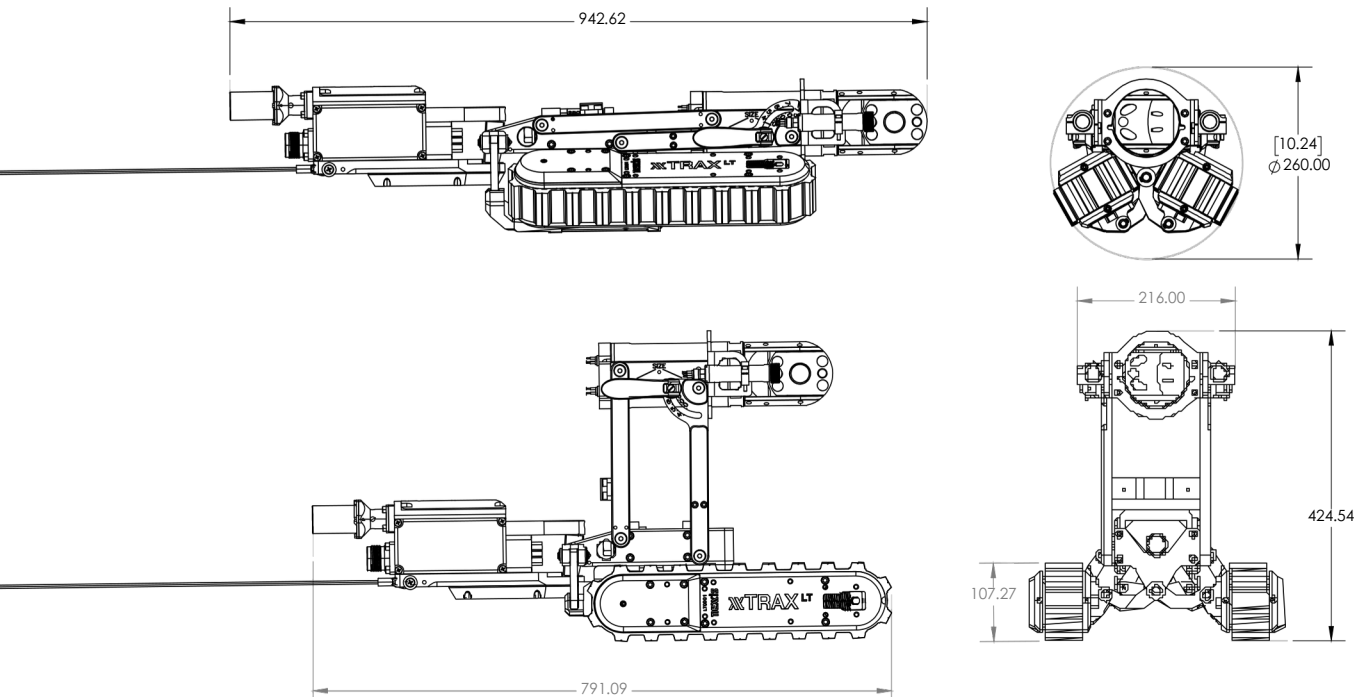


HELLCAT PIPE CRAWLER SPECIFICATIONS

PIPE SIZE	Minimum	260 mm / 10.236"
	Maximum	Flat (180°)
EXTERNAL PIPE SIZE	Minimum	500 mm / 19.68in
TETHER LENGTH	300m / 984ft	
CAMERAS	Front & Rear, multiple range of HD options	
LIGHTS	2x High intensity LED Floods	
WEIGHT	45 kg / 99.2lbs	
PULLING CAPACITY	110 kg / 242.5lbs	
PAYLOAD	91kg / 200lbs	
TEMPERATURE RATING	Standard	-20° - 50 °C / -4° - 122 °F
DEPTH RATING	Standard	Up to 150m / 492ft
CONTROL SYSTEM	Power Supply	400VDC
	Controller	JuiceBox

CHASSIS SPECIFICATIONS

DEPTH RATING	150m / 492ft (300m / 984ft optional)
TETHER LENGTH	1,000m / 3,300ft (longer fibre optic tethers optional)
MAXIMUM SPEED	9m / 30ft per minute
VEHICLE PAYLOAD	91kg / 200lb
FRONT CAMERA	Scope HD
OPTIONAL	Monic
OPERATING TEMPERATURE	0 - 50 °C / 3° - 122 °F)
VEHICLE WEIGHT	45kg / 99.2lb
VEHICLE DIMENSION	714 x 340 x 714mm (parallel) / 28 x 13.4 x 28in (parallel)
	1956mm / 77in (inline)



VER 1.0

35 Peel Road,
O'Connor 6163,
Western Australia

315 Odyssey Dr.
Suite D
Webster, TX 77598

37 Jalan Pemimpin
#03-02 Mapex
Singapore, 577177

HOUSTON

315 Odyssey, Suite D
Webster, TX 77598
United States
Ph: +1 (713) 258-6061

AUSTRALIA

35 Peel Road
O'Connor, WA 6163
Australia
Ph: +61 (08) 9418 4952

SINGAPORE

37 Jalan Pemimpin
#03-02 MAPEX
Singapore 577177
Ph: +65 3158 0269

[GET IN CONTACT](#)