

# OnDemand Specialty System



## Key Specifications

**Depth Rating:** 60m / 200ft

**Maximum Tether Length:** 2,130m / 7,000ft

**Maximum Speed:** 9m / 30ft per minute

**Vehicle Payload:** up to 180kg / 400lb

**Front Facing Camera:** Spectrum 90™

**Optional:** Spectrum 120HD™ high definition main camera, middle and/or rear Crystal Cam®

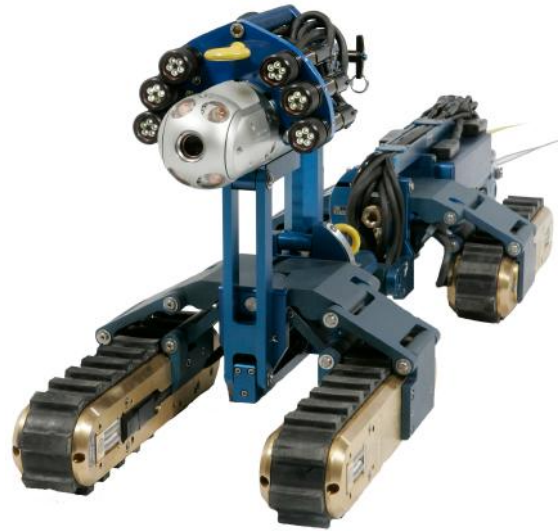
**Operating Temperature:** 0°-40° C / 32°-104° F

**Vehicle Weight:** 104kg / 230lb

**Vehicle Dimensions:** 1651x371x434mm / 65x14.6x17.1in

**Standard Components:** 4 x 7000 series Minitracs™, 1 x Spectrum 90™ camera, 2 x 901 lights, parallel chassis and wiring harness, 2,130m / 7,000ft tether, AC winch, Versatrax™ power supply / controller in a Pelican® case with Digital Video Recorder and sunlight readable monitor.

# Versatrax 300™ (VT300)



## Industries & Applications

- Military/Security
- Mining
- Municipal (Sewer/Water)
- Oil & Gas (Onshore/Offshore)
- Petrochemical

The Versatrax 300™ is the solution to long range pipe inspection challenges. Able to inspect more than two kilometres of pipe in a single run, the VT300 includes up to three onboard video cameras, multiple sensor options, and is operable in pipe as small as 300mm / 12in internal diameter.

Versatile and customizable, the Versatrax 300™ can deploy sensors and tooling in even the most remote and unaccommodating environments and locations. All units are configurable for round pipe or flat surface operation, and adjustable for a range of diameters.

Whatever your remote testing, assessment or construction needs — from video and sonar, to lasers and multi-sensor inspection — the VT300 delivers, with ultra long-range capability, extra payload capacity and friendly, intuitive control systems.

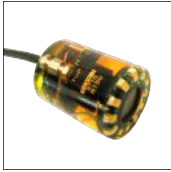


*"Inuktun brings a concept to life with flexibility, innovation and ingenuity."*

— Robert de Haas, Versatrax 300™ operator, Pacific Gas and Electric Company

# STANDARD IM3 OPTIONS

Custom configurations:  
See dealer for details

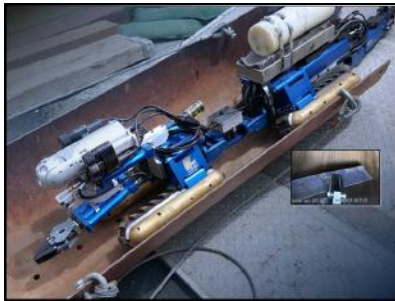


**Crystal Cam®**  
Middle or rear-facing camera for comprehensive remote inspection



**Spectrum 120™**  
Enhanced zoom capability up to 432x

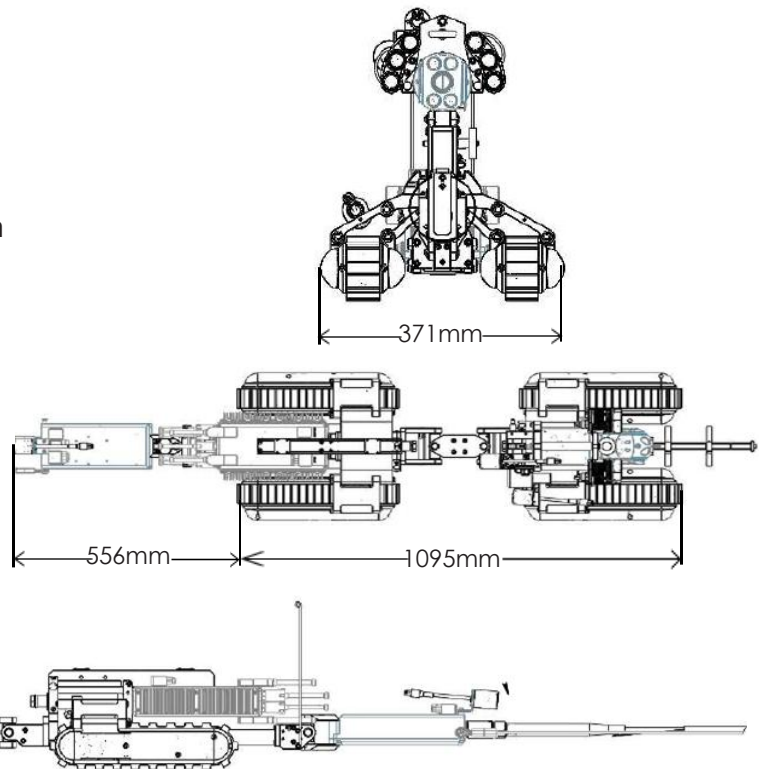
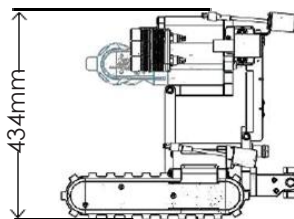
**Spectrum 120HD™**  
High definition 1080p video quality for more detailed inspection



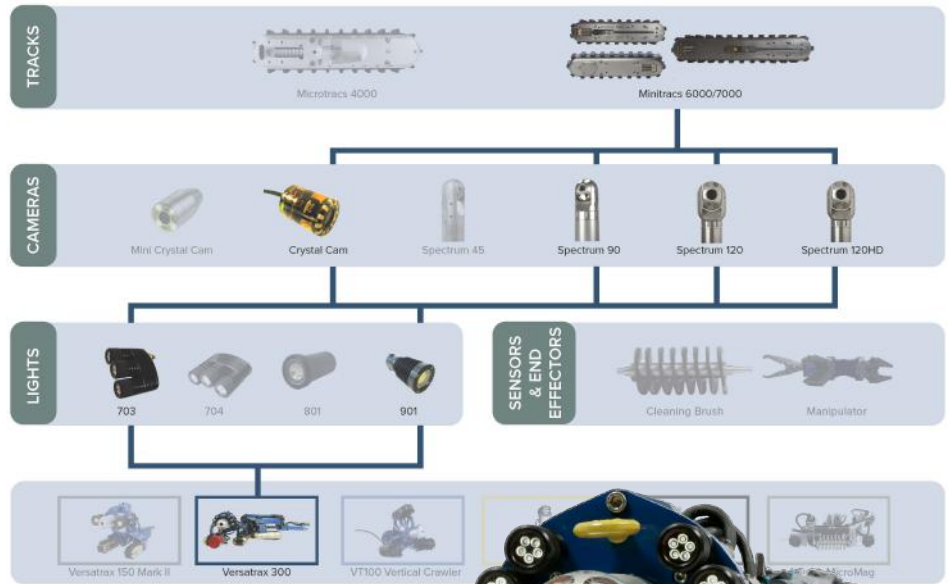
**Tooling Integration**  
Combine tooling requirements for remote handling and retrieval operations.



**Sensor Integration**  
Easy integration such as sonar, NDT sensors, lasers and chemical sensors.



# Versatrax 300™



## Versatrax 300™ Standard Dimensions